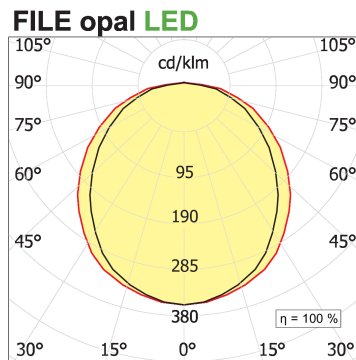
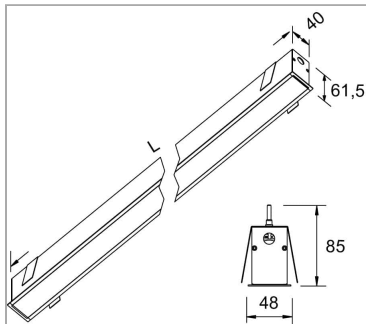


**File Recessed**

code F1000.8HCPD/01



**PRODUCT DESCRIPTION**

Direct light indoor recessed lamp made of extruded aluminum 6060; complete with led; color rendering index CRI >90. Professional led 12.8 W modules assembled and wired on extruded aluminum heatsink with high performance reflector, equipped with harmonic steel springs for installation in the profile Tools free; wiring through 5 cables with quick coupling terminal blocks; protocol Dimmable Dali. Lamp with color finish white; in polycarbonate with diffusing film. Degree of protection IP40/IP43.

**PRODUCT SPECS**

|                           |   |
|---------------------------|---|
| Installation method       | Recessed with frame                     |
| Light source              | LED                                     |
| Absorbed power            | 12,8 W                                  |
| Color temperature         | Horticulture                            |
| Color rendering index CRI | >90                                     |
| Optic                     | Opal polycarbonate diffuser             |
| Finishing                 | White                                   |
| MacAdam color tolerance   | 3                                       |
| Life time estimate        | 50000h Ta 25° L80 B10                   |
| Protocol                  | Dimmable Dali                           |
| Energy efficiency class   | E                                       |
| Weight                    | 0.95 Kg                                 |
| Dimension                 | L580 mm                                 |
| Hole size                 | 42xL+2 mm                               |
| IP Grade                  | Inst. Parete Ip40 / Inst. Soffitto Ip43 |
| Power supply              | 220-240V 50-60Hz                        |

**WEB PAGE**



**ASSEMBLY INSTRUCTIONS**



