

**File Recessed**

code F1002.8HCX/01

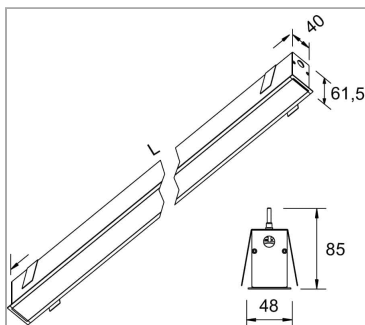


**PRODUCT DESCRIPTION**

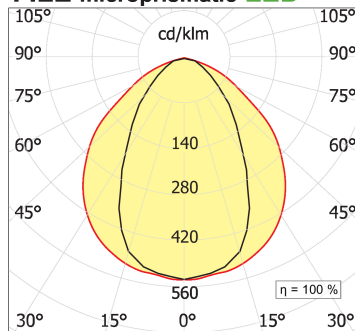
Direct light indoor recessed lamp made of extruded aluminum 6060; complete with led; color rendering index CRI >90. Professional led 25.6 W modules assembled and wired on extruded aluminum heatsink with high performance reflector, equipped with harmonic steel springs for installation in the profile Tools free; wiring through 5 cables with quick coupling terminal blocks; protocol On/Off. Lamp with color finish white; in polycarbonate with diffusing film. Degree of protection IP40/IP43.

**PRODUCT SPECS**

Installation method	Recessed with frame
Light source	LED
Absorbed power	25,6 W
Color temperature	Horticulture
Color rendering index CRI	>90
Optic	Microprismatic diffuser
Finishing	White
MacAdam color tolerance	3
Life time estimate	50000h Ta 25° L80B10
Protocol	On/Off
Energy efficiency class	E
Weight	1.70 Kg
Dimension	L1140 mm
Hole size	42xL+2 mm
IP Grade	Inst. Parete Ip40 / Inst. Soffitto Ip43
Power supply	220-240V 50-60Hz



**FILE microprismatic LED**



**WEB PAGE**



**ASSEMBLY INSTRUCTIONS**



