

Lbs Trimless Recessed
Direct/diffused emission

code LB043.830D/01

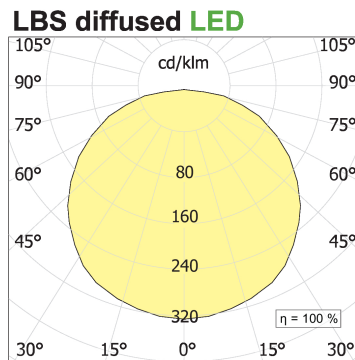
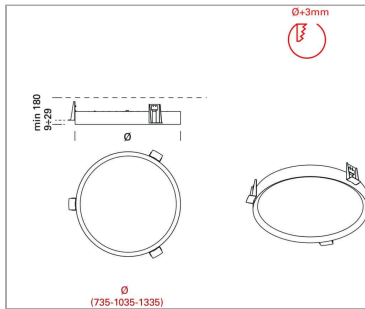


PRODUCT DESCRIPTION

LBS is a thin band of extruded aluminium section and it is possible to install it in many different ways. It consists of basic modules and, depending on the way they are assembled, it can be arch shaped (to be installed on a wall), circular shaped (to create swinging, ceiling and trimless recessed fixtures) or it may have a curving shape (to form a band which twists and turns on the ceiling, for instance). The extruded part, representing its body, is drawn in such a way to be able to house the linear LED light source, shaded with a white opal diffuser, both on the inside vertical side and therefore to give out light on its horizontal axis, and on its narrower and horizontal side and consequently to give out light on its vertical axis (indirect one). It is also available in ceiling, pendant and trimless recessed version with diffused direct light emission. Additionally, LBS also allows to make use of directional projectors, that can be hooked and wired to the profile.

PRODUCT SPECS

Installation method	Trimless recessed
Light source	LED
Absorbed power	168 W
Color temperature	3000K
Color rendering index CRI	80
Finishing	White
Luminous flux of the product	11754 lm
Luminous efficiency	70 lm/W
Life time estimate	50000h L90 B10 Ta 25°C
Protocol	Dimmable Dali
Energy efficiency class	E
Dimension	Ø1335 mm
Hole size	ø +3 mm
IP Grade	IP43
Product Spec	Circular shape
Power supply	220-240V 50-60Hz



WEB PAGE



ASSEMBLY INSTRUCTIONS



Complies with EN605981 and related notes. In the absence of metric symbols, the measurements are all in millimetres.

Luminous flux and power data are initially subject to tolerances +/- 10%. The values refer to an ambient temperature of 25°C unless otherwise specified. We reserve the right to make changes to our products at any time.

