

Iride Base 86S

code IR00.927WD/01

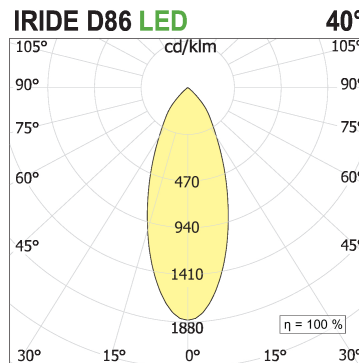
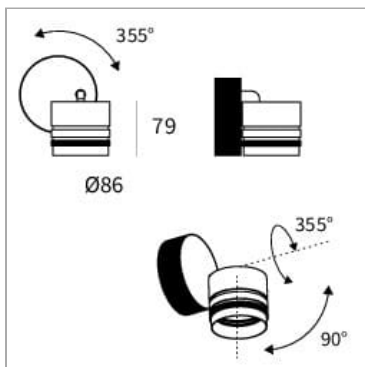


PRODUCT DESCRIPTION

Wall/ceiling projector with fixed projection, complete with LED 18 W beam 40°, color rendering index CRI >90. Lamp with color finish white. Body lamp and optical group made of die-cast aluminum powder-coated, aluminum joint, rotation of the optical group of 355 °. on the vertical axis and 90 °. on the horizontal axis. Snooter in lamp finish or finishing choice. High performance lens. Possibility of insertion of Honey Comb filter.

PRODUCT SPECS

Installation method	Wall surface mounted, Ceiling surface mounted
Light source	LED
Absorbed power	18 W
Color temperature	2700K
Color rendering index CRI	>90
Optic	Wide 40°
Finishing	White
Luminous flux of the product	1586 lm
Luminous efficiency	88 lm/W
MacAdam color tolerance	3
Life time estimate	50000h Ta 25° L80B10
Protocol	Dimmable Dali
Energy efficiency class	D
Dimension	Ø86 mm
IP Grade	IP20
Product Spec	Adjustable
Power supply	220-240V 50-60Hz



WEB PAGE



ASSEMBLY INSTRUCTIONS

