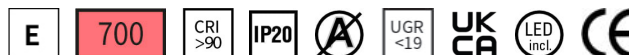


**Iride recessed frame adjustable**

code IR22.927S/01

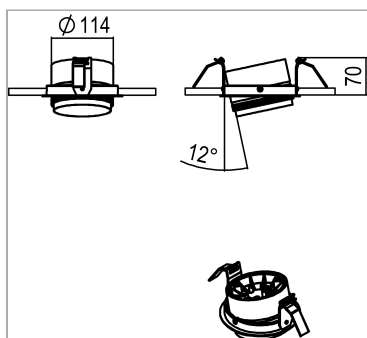


**PRODUCT DESCRIPTION**

Adjustable indoor recessed projector, complete with LED 26 W, colour rendering index CRI >90. Lamp with colour finish white. Lamp body and optical group made of powder-coated die-cast aluminium, springs in harmonic steel for quick installation. High performance polycarbonate lens. UGR<19

**PRODUCT SPECS**

Installation method	recessed with frame
Light source	LED
Absorbed power	26 W
Color temperature	2700K
Color rendering index CRI	>90
Optic	Spot 14°
Finishing	White
Luminous flux of the product	2017 lm
Luminous efficiency	78 lm/W
Life time estimate	3SDCM 50000h L90 B10 Ta 25°C
Energy efficiency class	E
Dimension	Ø114 mm
IP Grade	IP20
Power supply/Transformer	Not included
Protocol	See power supply



**WEB PAGE**

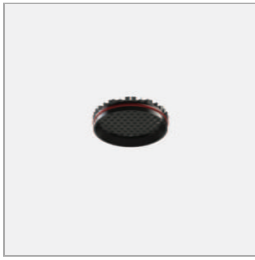


**ASSEMBLY INSTRUCTIONS**



## OPTIONAL ACCESSORIES

### Private:



code L114R

Non-reflective accessory lens with a honeycomb structure, diameter 86 mm.

Technical Sheet



