

Ipipedi Ceiling R55

code PP014.927WD/01

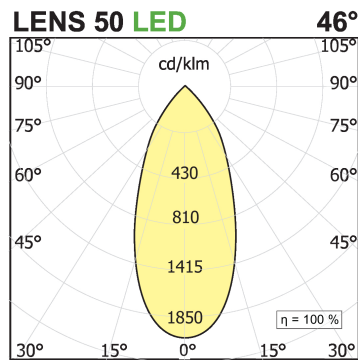
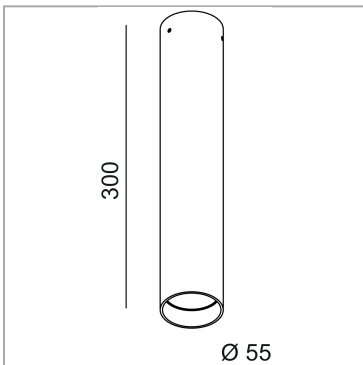


PRODUCT DESCRIPTION

indoor ceiling lighting fixture characterized by aluminium tubular section.

PRODUCT SPECS

Installation method	Ceiling surface mounted
Light source	LED
Absorbed power	18 W
Color temperature	2700K
Color rendering index CRI	>90
Optic	Wide 46°
Finishing	White
Luminous flux of the product	1519 lm
Luminous efficiency	84 lm/W
MacAdam color tolerance	2
Life time estimate	2SCDM 50.000h L90 B10 ta25°
Protocol	Dimmable Dali
Energy efficiency class	D
Weight	1.07 Kg
Dimension	H300 Ø55 mm
Power supply	220-240V 50-60Hz



WEB PAGE



ASSEMBLY INSTRUCTIONS



