

Ipedi Ceiling R55

code PP161.935FDF/01

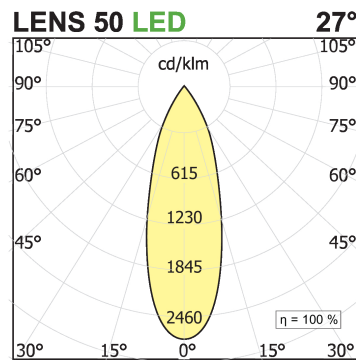
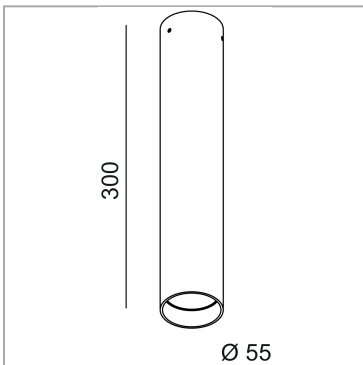


PRODUCT DESCRIPTION

indoor ceiling lighting fixture characterized by aluminium tubular section.

PRODUCT SPECS

Installation method	Ceiling surface mounted
Light source	LED
Absorbed power	8 W
Color temperature	3500K
Color rendering index CRI	90
Optic	Flood 27°
Finishing	White
Luminous flux of the product	860 lm
Luminous efficiency	108 lm/W
Protocol	Dimmable Trailing Edge
Dimension	H300 Ø55 mm
Power supply	220-240V 50-60Hz



WEB PAGE



ASSEMBLY INSTRUCTIONS



