

Ipipedi Ceiling R55

code PP013.940FDF/01

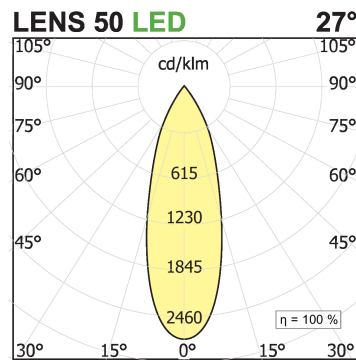
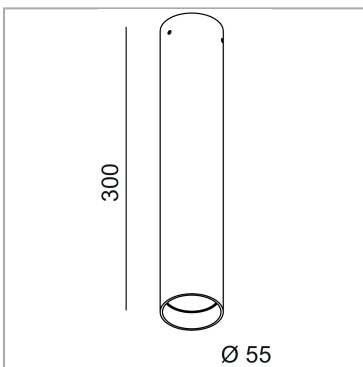


PRODUCT DESCRIPTION

indoor ceiling lighting fixture characterized by aluminium tubular section.

PRODUCT SPECS

Installation method	Ceiling surface mounted
Light source	LED
Absorbed power	12 W
Color temperature	4000K
Color rendering index CRI	>90
Optic	Flood 27°
Finishing	White
Luminous flux of the product	1333 lm
Luminous efficiency	111 lm/W
MacAdam color tolerance	2
Life time estimate	2SCDM 50.000h L90 B10 ta25°
Protocol	Dimmable Trailing Edge
Energy efficiency class	D
Weight	1.07 Kg
Dimension	H300 Ø55 mm
IP Grade	IP20
Power supply	220-240V 50-60Hz



WEB PAGE



ASSEMBLY INSTRUCTIONS





Complies with EN605981 and related notes. In the absence of metric symbols, the measurements are all in millimetres.
Luminous flux and power data are initially subject to tolerances +/- 10%. The values refer to an ambient temperature of 25°C unless otherwise specified.
We reserve the right to make changes to our products at any time.